

AC-40 Multi Point Actuator

Push-button handle



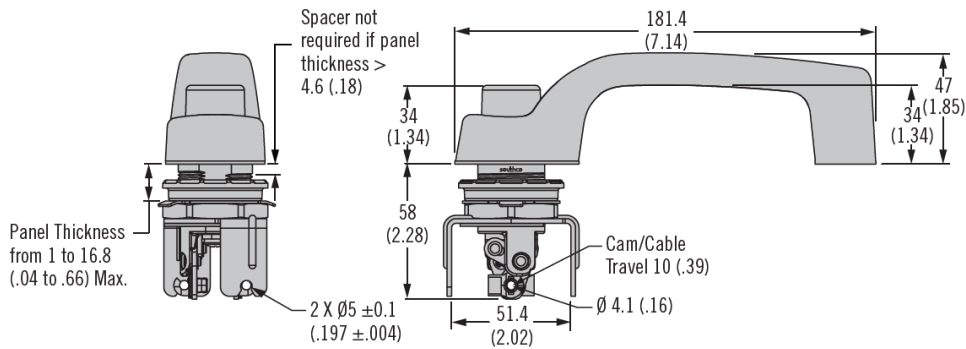
Features

- Single or multi-point actuation capability
- Accommodates wide panel thickness
- Multiple key code options
- Easy Grip

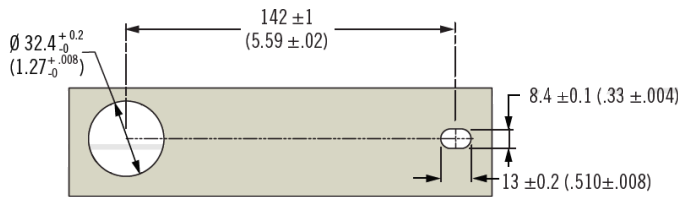
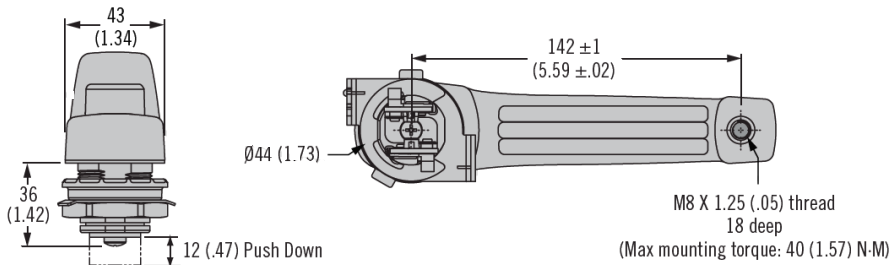
Material

- Button: Nylon
- Housing: Zinc alloy or stainless steel
- Lock plug: Zinc alloy
- Cam, washer, rivet: stainless steel, passivated

With cam attachment shown



Without cam attachment shown



E End Style

- 1 With Cam attached
- 3 Without Cam attachment

H Handle Material

- 1 Black GF nylon with zinc housing insert
- 2 Black GF nylon with stainless steel housing insert

B Button Material

- 1 Nylon, black

AC - 40 - E L M - H B - KC

L Locking Option

- 1 Reversible key (No keys - R001)
- 2 Reversible key (2 keys included - R001)
- 3 Reversible key (Multiple key codes - 2 keys included)
- 4 Standard key (No keys - CH751)
- 5 Standard key (2 keys included - CH751)
- 6 Standard key (Multiple key codes - 2 keys included)
- 0 Non-locking

K Key Codes

- (Omit for locking options 1,2,4 and 5)
- KD10** Keyed differently (10 codes)
 - MK10** Master keyed, keyed differently

M Mounting Method

- 1 Cable parallel (or no cable), with spacer mounting (must have if glass panel)
- 2 Cable parallel (or no cable), without spacer mounting
- 3 Cable cross with spacer mounting (must have if glass panel)
- 4 Cable cross without spacer mounting

southco®

We are proud to be Southco's authorized distributor of over 20 years